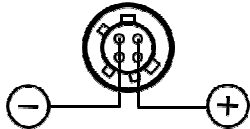




Specifications:	
Input Voltage	85-264VAC 100 – 240VAC nominal
Output	DC 12.0V 3.3 A
Zero Load Consumption	0.3W
Touch Leakage Current	<50µA @ 132VAC @ 60Hz <75µA @ 264VAC @ 60Hz
Over Voltage Protection	110 – 135%
Over Current Protection	120 – 180%
Efficiency	Avg Efficiency 86.4% @115VAC; 85.7% @230 VAC
External Dimensions	5.0 (127mm) x 3.0 (76.2mm) x 1.3 (33mm)
Weight	0.8lbs (.36kg)
Operating Temperature	0 to 40°C, linearly derated to 50% load at 60C
Storage Temperature	-40 to +85°C
Relative Humidity	5-95%, non-condensing



Output connector
HR10A-7P-4S OF
Hirose (pins 1, 2 + pins 3,4 -)

Connection on Power Supply Body
IEC 320 C14 Receptacle

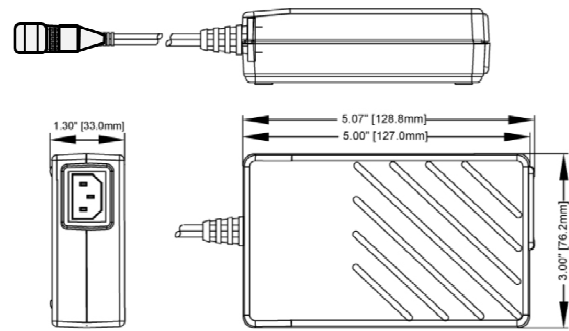
EMC & Safety:

Emissions FCC class B, CISPR 11 class B
EN6100-3-2,-3

Immunity EN6100-4-2,-3,-4,-5,-6,-8,-11
cTUVus
UL60601-1
CAN/CSA-22.2 No.601.1-M90
CB per IEC60601-1

Certified by TUV
to the following:

CE marked to LVD



- This unit is exclusively for use with Toshiba profession cameras.
- Do not use it with other devices
- This unit is a universal type for input AC100 to 240V
- Do not use a power cord other than the supplied one

Components

- | | |
|------------------------|---|
| (1) AC adapter | 1 |
| (2) Power cord | 1 |
| (3) Instruction manual | 1 |

Disclaimer

We disclaim any responsibility and shall be held harmless for any damages or losses incurred by the user in any of the following cases;

- Fire, earthquake or any other act of God; acts by third parties; misuses by the user, whether intentional or accidental; use under extreme operating conditions.
- Malfunction or non-function resulting in indirect, additional or consequential damages, including but not limited to loss of expected income and suspension of business activities.
- Incorrect use not in compliance with instructions in this manual.
- We do not have any responsibility for the damage causing from malfunction due to the combination of use with the connecting devices, software, etc. without any relation to us.
- Repairs or modifications made by the user or caused to be made by the user and carried out by an unauthorized third party.
- Notwithstanding the foregoing, Toshiba's liability shall not, within the determined scope of law, in any circumstances, exceed the purchase price of the product.

Cautions on Use and Installation

- **Carefully handle the units;** Do not drop, or give strong shock or vibration to the units. This may cause problems. Treat the unit's cables carefully to prevent cable problems, such as cable breakdown and loosened connections.
- **Operating ambient temperature and humidity;** Do not use the units in places where temperature and humidity exceed the specifications. Picture quality will lower and internal parts may be damaged. Be particularly careful when using in places exposed to direct sunlight.
- **When not using the units for a longtime;** Disconnect from AC power.
- **When cleaning units;** Always turn off the power and clean with a piece of soft dry cloth. Do not use benzene, alcohol, thinner, household detergents, chemically treated cloths, etc. If used, coating and printed letters may be discolored.
- **Avoid using or storing the units in the following places:** Places filled with highly flammable gas, places near gasoline, benzene or paint thinner, places subject to strong vibration, places containing chemicals (such as pesticides), rubber or vinyl products for a long period of time